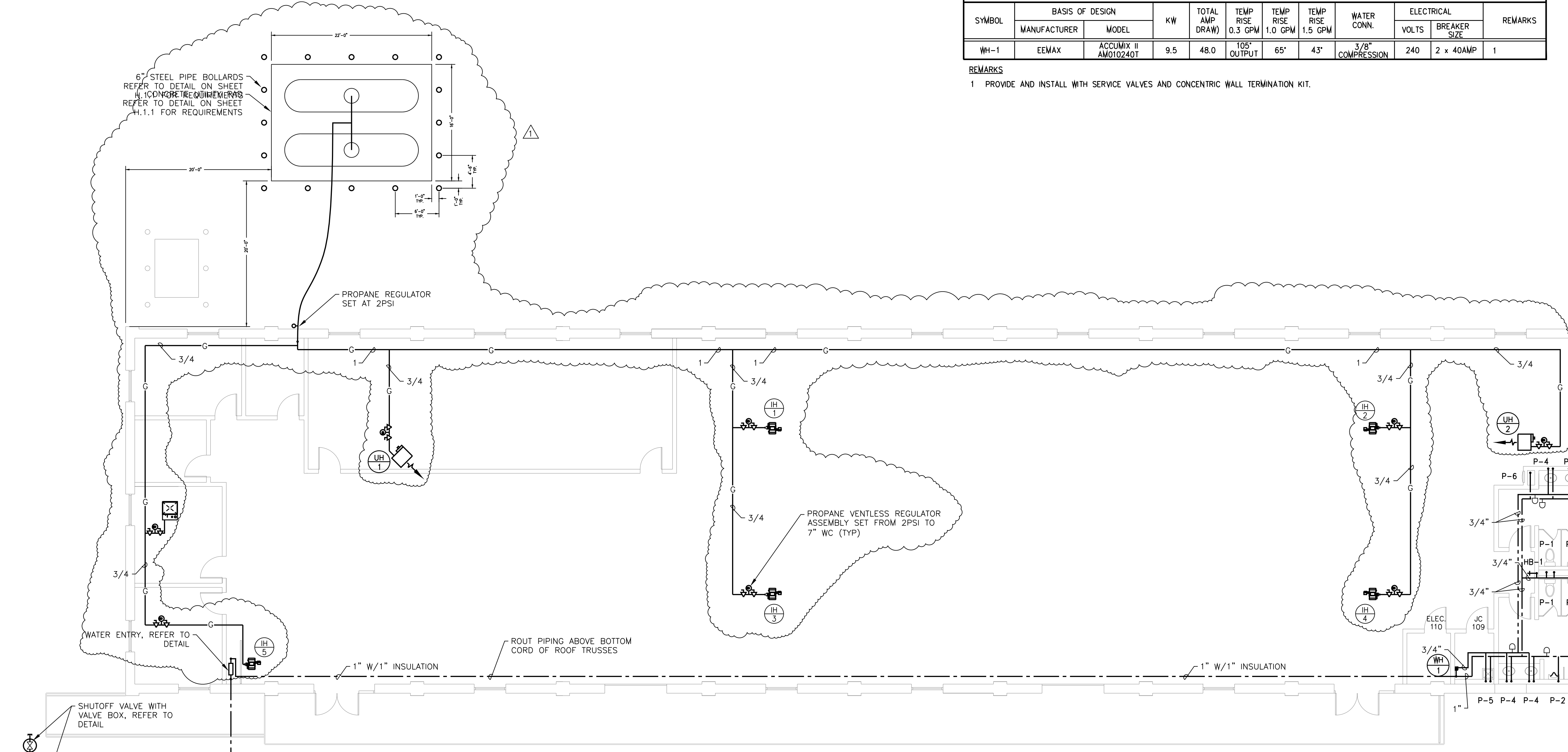


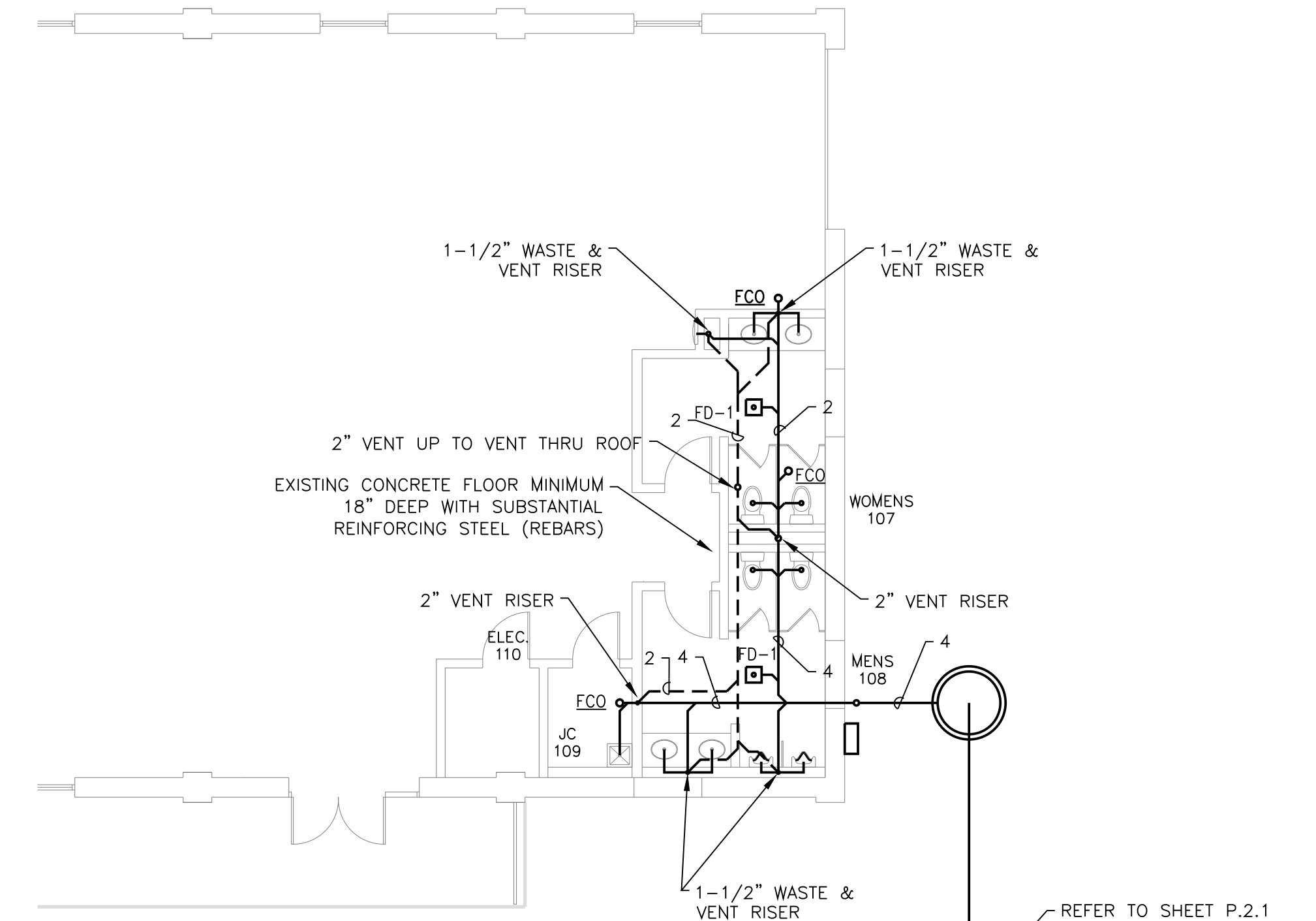
WATER HEATER SCHEDULE											
SYMBOL	BASIS OF DESIGN		KW	TOTAL AMP DRAW	TEMP RISE 0.3 GPM	TEMP RISE 1.0 GPM	TEMP RISE 1.5 GPM	WATER CONN.	ELECTRICAL		REMARKS
	MANUFACTURER	MODEL							VOLTS	BREAKER SIZE	
WH-1	EEMAX	ACCUMAX II AM01024DT	9.5	48.0	105° OUTPUT	65°	4.3'	3/8" COMPRESSION	240	2 x 40AMP	1

REMARKS
1 PROVIDE AND INSTALL WITH SERVICE VALVES AND CONCENTRIC WALL TERMINATION KIT.

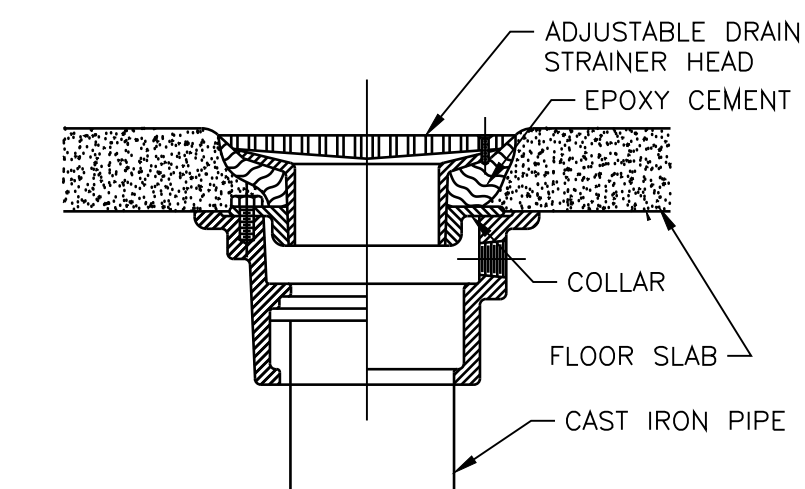
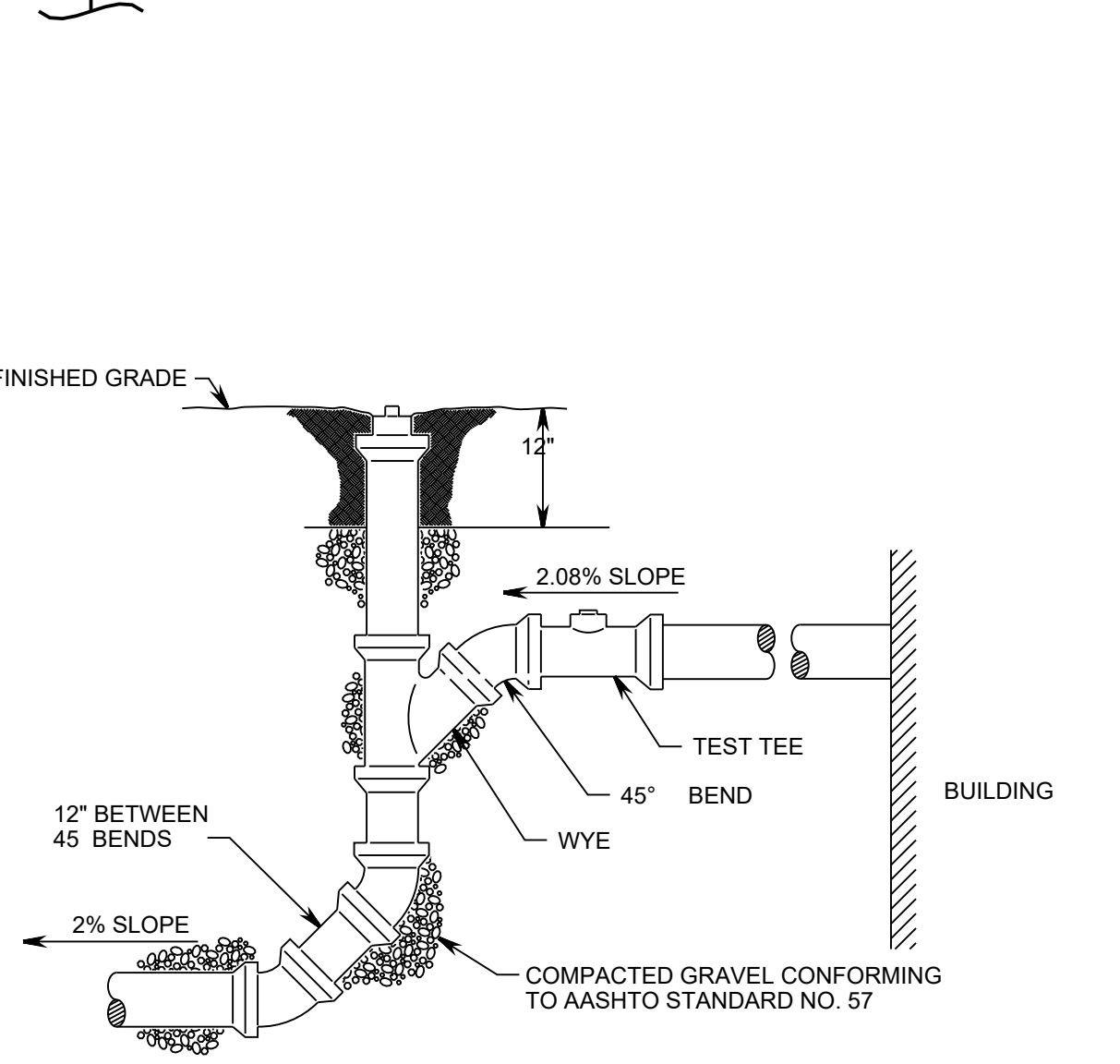
PLUMBING FIXTURE SCHEDULE										
SYMBOL	FIXTURE DESCRIPTION	BASIS OF DESIGN	C.W.	H.W.	SAN	VENT	MOUNTING	RIM HEIGHT	REMARKS	
									1-1/2"	2"
P-1	ADA - WATER CLOSET - TANK	AMERICAN STANDARD CADET PRO RIGHT HEIGHT ELONGATED TOILET 1" ROUGH 3517A.101 BOWL 4188B 104 TANK, BEMS 19555SCT SEAT BRASS CRAFT CS4010LX G SUPPLY KIT	1/2"	-	3"	2"	FLOOR	16-1/2"	ADA	
P-2	URNAL	AMERICAN STANDARD 65990.001 WASHBROOK FLOWSE UNIVERSAL URINAL 6590.001 UNIVERSAL TOP SPRUD ZURN Z195203-ULF FLUSH VALVE ZURN Z1222-Z CARRIER	3/4"	-	2"	2"	WALL	ADA		
P-4	LAVATORY	AMERICAN STANDARD 0476.028 AQUALYN COUNTER TOP SINK 0476.028 4" FAUCET HOLES MOEN CHATEAU L4601 SERIES ZURN Z8743-PC PLUG TAIL PIECE ZURN P-TRAP WITH WALL BEND Z8701-9-PC-B ZURN SUPPLY & STOP Z8808-X2-LRLK-PC TRUEBRO LAV GUARDZ #102 E-Z WATTS LEUSIS-B-WZ UNDER-SINK GUARDIAN	1/2"	1/2"	1-1/2"	1-1/4"	COUNTER	---		
P-5	MOP RECEPTOR	FIAT MSB2424 CHICAGO FAUCET B97-ROF ZURN Z1996-HH HOSE & BRACKET ZURN Z1996-VH MOP HANGER	3/4"	3/4"	3"	1-1/2"	FLOOR	26-1/4"		
P-6	BOTTLE FILLING STATION	ELKAY MODEL NO. E7XSMOK	3/4"	3/4"	3"	1-1/2"	WALL	26-1/4"		
FD-1	FLOOR DRAIN	ZURN Z415-5B-P ZURN ZSHIELD BARRIER TRAP SEAL DEVICE Z1072	---	---	---	2" OR 4"	FLOOR	---		
HB-1	HOSE BIBB	WOODFORD MFG. MODEL 24C	1/2"	---	---	---	WALL	24"		
FFHB-1	FROST FREE HOSE BIBB	WOODFORD MFG. MODEL 17 8"x1/2"	1/2"	---	---	---	WALL	24"		



DOMESTIC WATER & GAS - NEW WORK
SCALE: 1/8" = 1'-0"



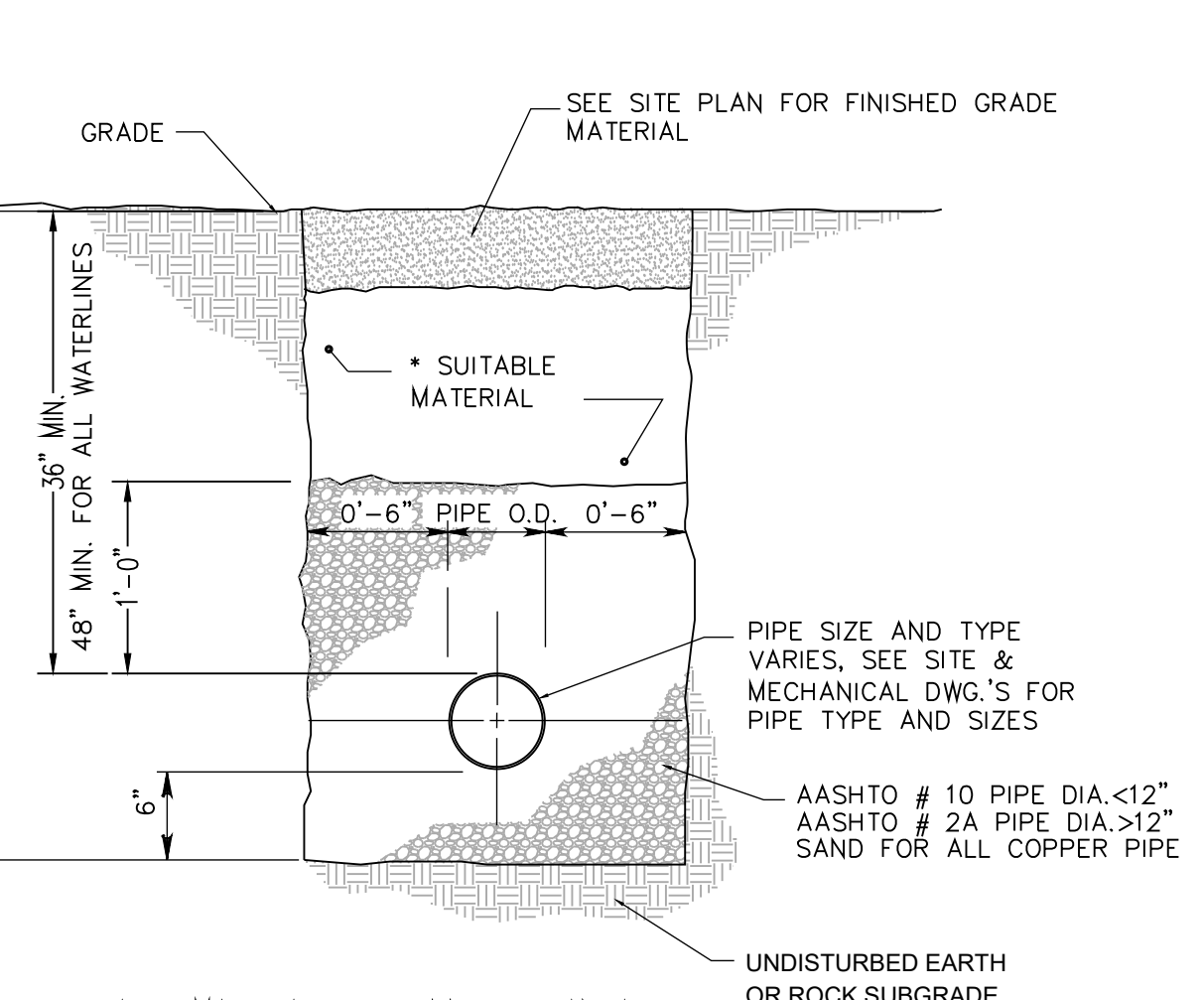
SANITARY SEWER - NEW WORK
SCALE: 1/8" = 1'-0"



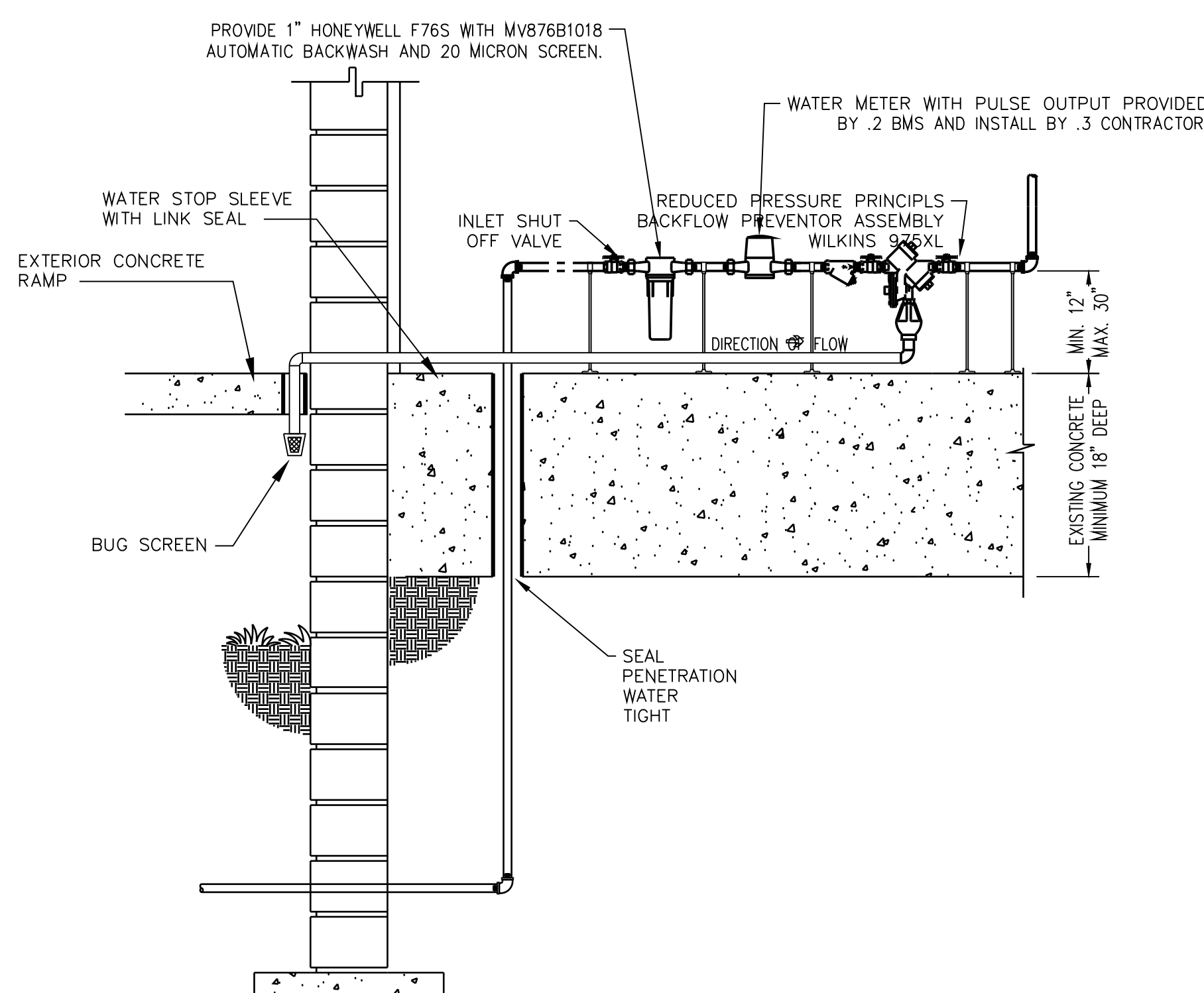
FLOOR DRAIN DETAIL
NO SCALE

NOTES
1. PLUMBER SHALL CUT THE VERTICAL RISER AT THE REQUIRED ELEVATION TO SERVICE THE FIRST FLOOR AND INSTALL A WYE, A 45 DEGREE FITTING, AND TEST TEE. THE VERTICAL RISER SHALL THEN BE EXTENDED TO SURFACE GRADE AND PLUGGED TO SERVE AS A CLEANOUT.
2. THE LATERAL RISER PIPE AND FITTINGS SHALL BE OF THE SAME MATERIAL AS THE MAIN SEWER TO THE POINT WHERE THE PLUMBER CUTS THE VERTICAL RISER. PVC PIPE AND FITTINGS MAY THEN BE USED FOR THE HOUSE LATERAL.

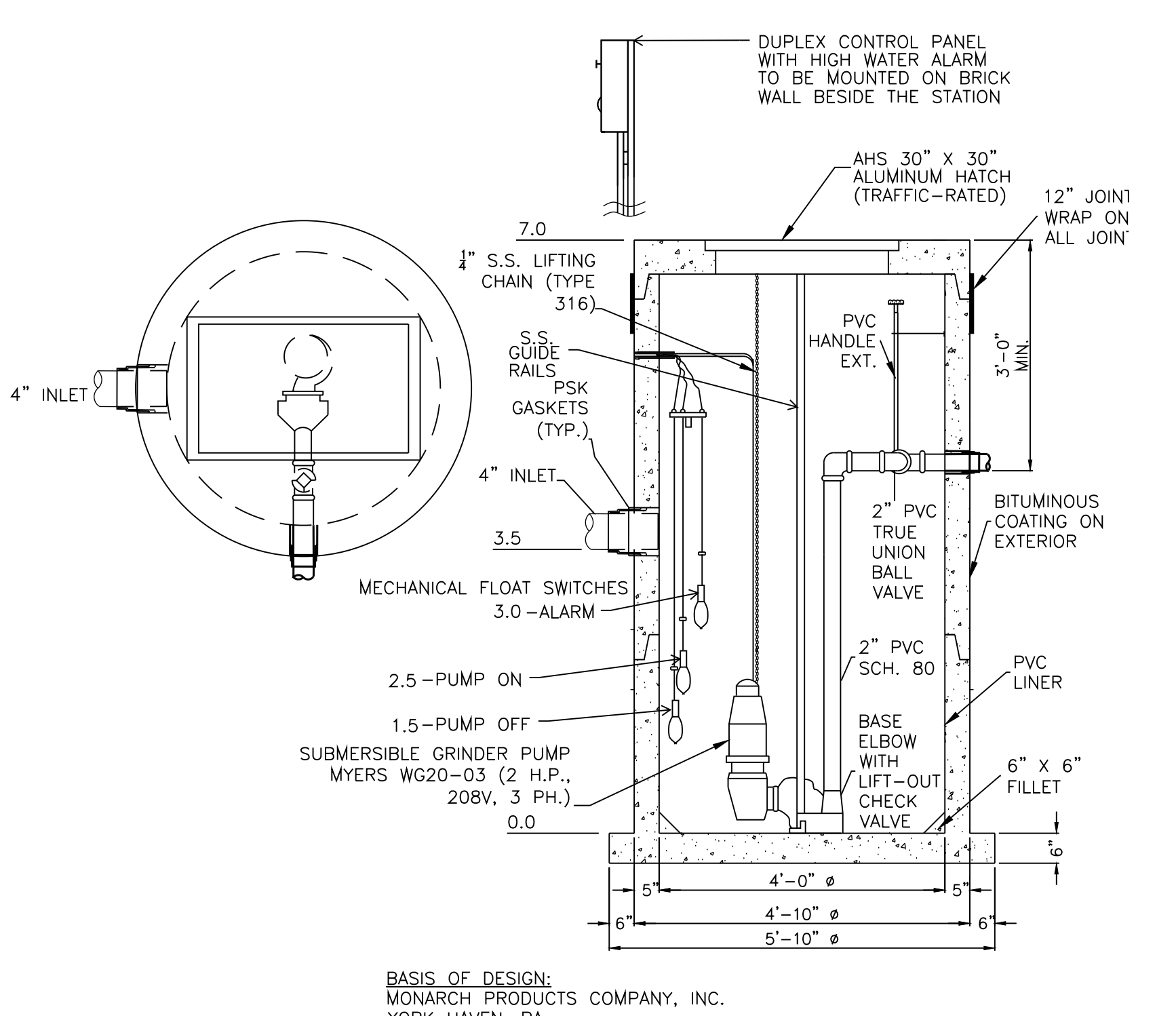
SANITARY LATERAL AT BUILDING
NO SCALE



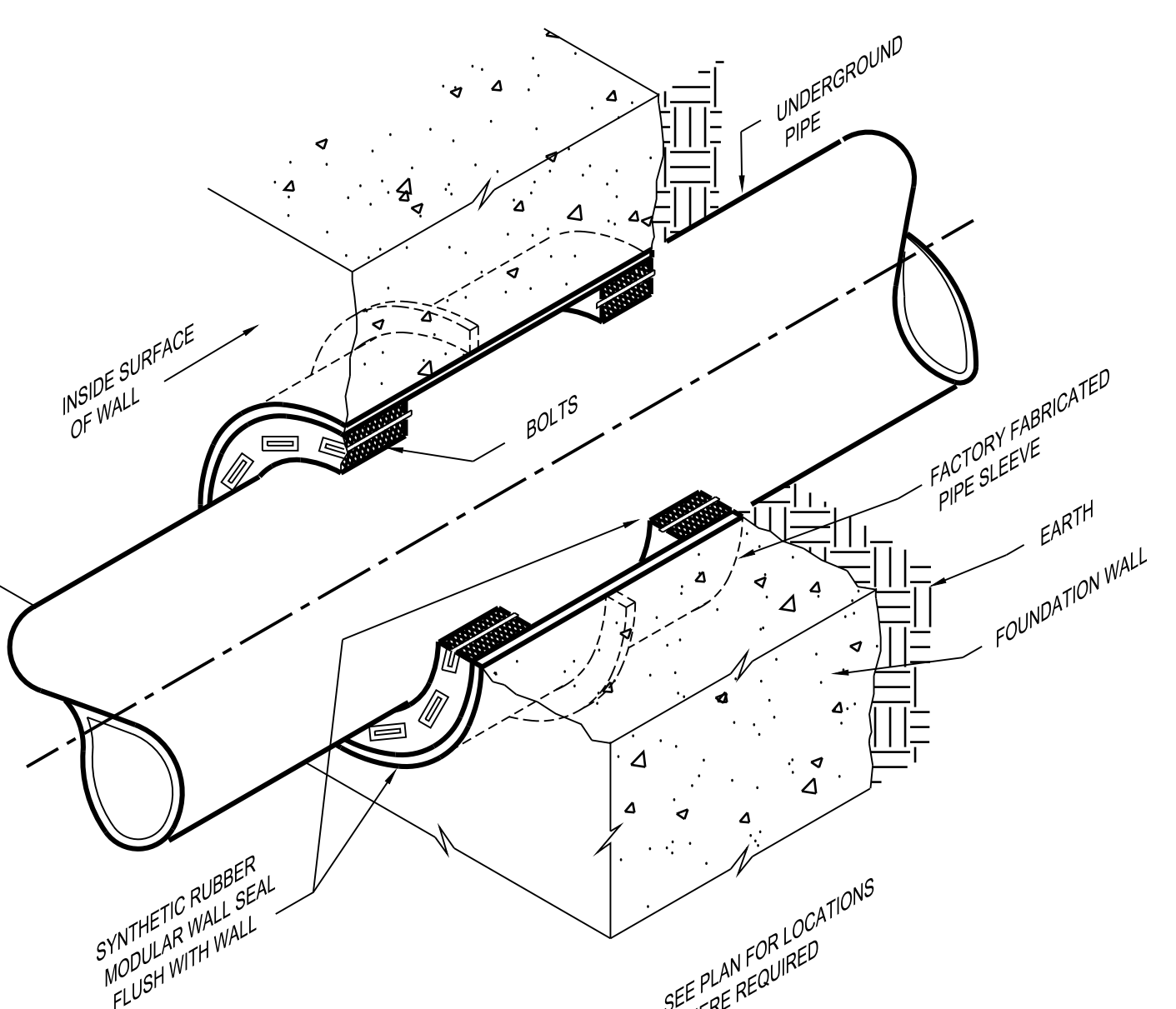
PIPE BEDDING DETAIL
NO SCALE



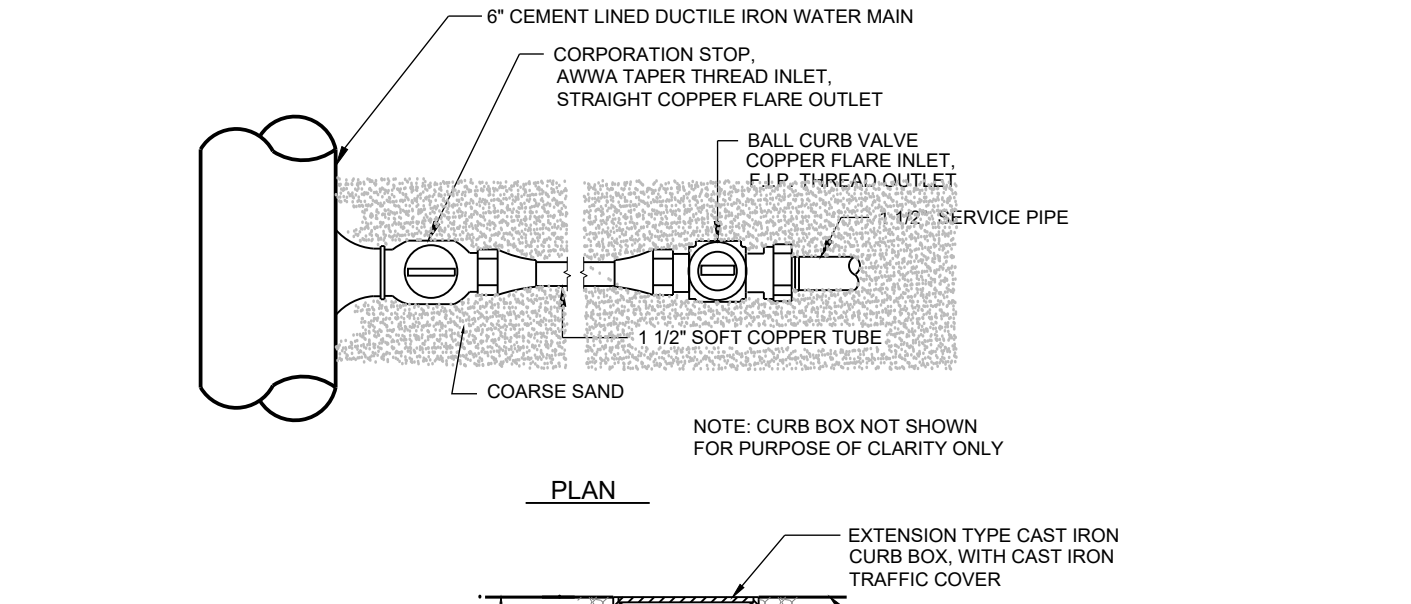
WATER ENTRY RISER (TYP.)
NO SCALE



SEWAGE LIFT STATION DETAIL
NO SCALE



BELOW GRADE PIPE SEAL DETAIL
NO SCALE



VALVE BOX DETAIL
NO SCALE

- (CW) COLD WATER
- (HW) HOT WATER
- (V) VENT
- (SAN) SANITARY
- RPZ BACKFLOW PREVENTER
- WHA WATER HAMMER ARRESTOR
- ECO FLOOR CLEAN OUT
- WCO WALL CLEAN OUT
- PIPE RISE
- ⊃ PIPE DROP (ELBOW)
- ⊂ PIPE DROP (TEE)
- ⊘ SHUT-OFF VALVE
- ⊞ PIPE BREAK
- ⊞ FLOOR DRAIN

SYMBOLS LEGEND
NO SCALE

NO.	DESCRIPTION	DATE

Professional's Signature _____ Date _____

COMMONWEALTH OF PENNSYLVANIA
DEPT. OF MILITARY & VETERAN'S AFFAIRS
ANNVILLE, PENNSYLVANIA

DESIGN PROFESSIONALS:
OFFICE OF FACILITIES AND ENGINEERING
BUREAU OF DESIGN AND PROJECT MANAGEMENT
BLDG. 0-10, FORT INTANTOWN GAP
ANNVILLE, LEBANON COUNTY, PENNSYLVANIA

PROJECT NO.: 42190066

RENOVATIONS TO
FT. MIFFLIN BLDG. 57
PHILADELPHIA
PHILADELPHIA COUNTY, PENNSYLVANIA

PLUMBING PLAN & DETAILS

DRAWN BY B. TOEVS
DATE 18 MAR 2022
CHECKED BY AS NOTED
DRAWING NO. P.1.1

VERIFY SCALE
BAR IS ONE (1) INCH LONG ON ORIGINAL DRAWING.
0 1
IF BAR IS NOT ONE (1) INCH LONG, ADJUST SCALE ACCORDINGLY.
CONTRACTOR SHALL FIELD VERIFY ALL DIMENSIONS.
VARIANCE FROM CONTRACT DOCUMENTS NOT PERMITTED WITHOUT BUREAU OF ENGINEERING AND ARCHITECTURE APPROVAL.